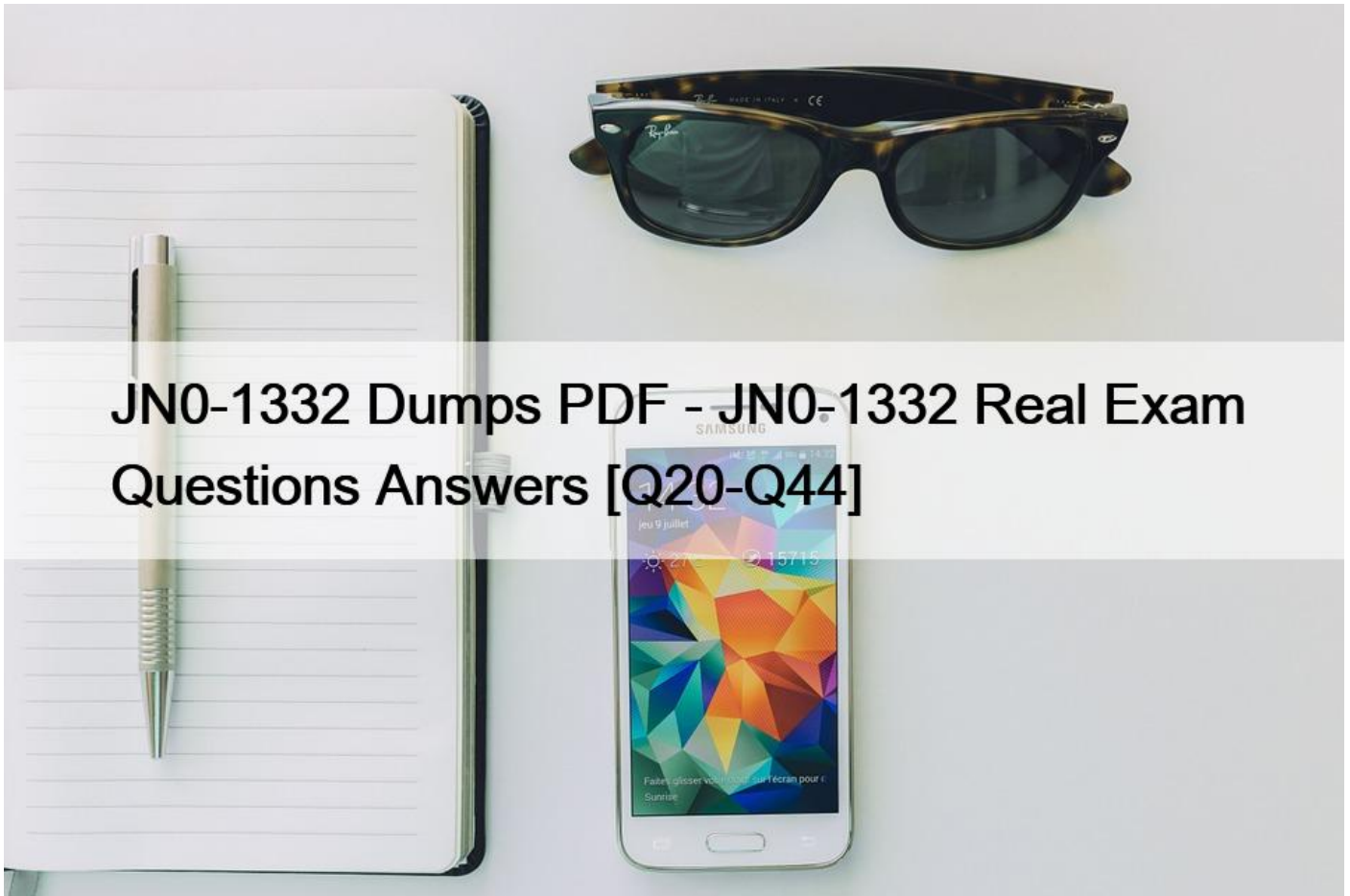


JN0-1332 Dumps PDF - JN0-1332 Real Exam Questions Answers [Q20-Q44]



JN0-1332 Dumps PDF - JN0-1332 Real Exam Questions Answers
Get Started: JN0-1332 Exam [year] Dumps Juniper PDF Questions

Juniper JN0-1332 Exam Topics: Section Objectives
Securing the Enterprise WAN Describe the security design considerations for an enterprise WAN- Internet edge security design principles- WAN aggregation- Private WAN- VPNs
Securing the Service Provider WAN Describe the security design considerations for a service provider WAN- DoS/DDos attacks- Securing the control plane- Internet security- CG-NAT
Security Automation and Management Describe the design considerations for security management- Securing the individual devices- Centralized security- Junos Space management platform- Junos Space Security Director and Log Director- Juniper Secure Analytics
Describe the design considerations for automating security.- Simplifying deployment- On-box automation- Off-box automation
Security Virtualization Describe the security design considerations for a virtualized environment- NFV- Service chaining- Micro-segmentation- vSRX
High Availability Describe the design considerations of high availability in a secure network- Physical high availability- Virtual high availability- Asymmetrical traffic handling- Chassis clustering
Securing the Data Center Describe the security design considerations in a data center- Securing data center interconnects- Securing North-South flows- Securing East-West flows- Virtual routers

NEW QUESTION 20

Your company just purchased another company that uses the same IP address space as your company. You are asked to design a solution that allows both company's to use each other's IT resources. Which two actions would you use to accomplish this task? (Choose two.)

- * Implement double NAT
- * Implement two non-overlapping equal-size address blocks
- * Implement three non-overlapping equal-size address blocks.
- * Implement persisted mat

NEW QUESTION 21

You are designing a service provider network. As part of your design you must ensure that the OSPF, BGP, and RSVP protocol communications are secured using the same authentication method. Which authentication protocol will accomplish this task?

- * HMAC-MD5
- * simple authentication
- * SHA-RSA
- * SHA-256

NEW QUESTION 22

What are two factors you must consider when designing a network for security intelligence? (Choose two.)

- * the number and model of JSA Series devices
- * the third-party management application
- * the number and model of SRX Series devices
- * the Junos OS version

NEW QUESTION 23

When using Contra! networking, security policies are distributed as access control list to which component?

- * vSwitch
- * vSRX
- * vMX
- * vRouter

NEW QUESTION 24

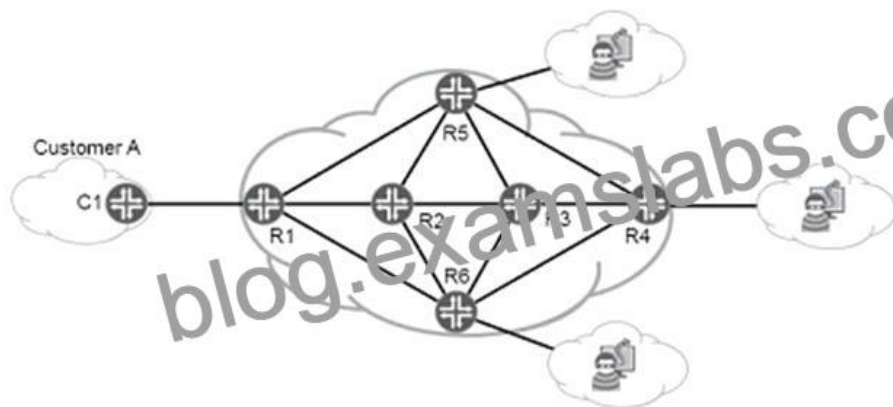
You are asked to provide a design proposal to secure a service provider's network against IP spoofing. As part of your design, you must ensure that only traffic sourced from the same subnet is followed on the customer-facing interfaces. Which solution will satisfy this requirement?

- * BGP with source of origin community
- * unicast RPF with strict mode
- * unicast RPF with loose mode
- * BGP labeled-unicast using the resolve-vpn option

NEW QUESTION 25

Refer to the Exhibit.

Exhibit



You are asked to provide a proposal for security elements in the service provider network shown in the exhibit. You must provide DDoS protection for Customer A from potential upstream attackers.

Which statements correct in this scenario?

- * You should implement DDoS protection to drop offending traffic on the edge devices closest to the destination of the attack.
- * You should implement DDoS protection to drop offending traffic on the edge devices closest to the source of the attack.
- * You should implement DDoS protection to drop offending traffic on the core devices.
- * You should implement DDoS protection to drop offending traffic on the customer edge device.

NEW QUESTION 26

Which firewall service is used as a first line of defense and often used by a security device to protect itself?

- * intrusion prevention system
- * unified Threat management
- * network address translation
- * stateless firewall filter

NEW QUESTION 27

You want to reduce the possibility of your data center's server becoming an unwilling participant in a DDoS attack. When tvA3 features should you use on your SRX Series devices to satisfy this requirement? (Choose two.)

- * dynamic IPsec tunnels
- * Juniper ATP Cloud GeolP
- * UTMWebtaering
- * Juniper ATP Cloud CC feeds

NEW QUESTION 28

What are two reasons for using a cSRX instance over a vSRX instance? (Choose two)

- * cSRX instances launch faster than vSRX instances
- * cSRX instances share the host OS unlike vSRX instances.
- * A cSRX instance uses more memory but uses less disk space than a vSRX instance
- * A cSRX instance supports more features than a vSRX instance

NEW QUESTION 29

Your network design requires that you ensure privacy between WAN endpoints.

Which transport technology requires an IPsec overlay to satisfy this requirement?

- * L3VPN
- * leased line
- * internet
- * L2VPN

NEW QUESTION 30

You are a security architect for a small managed service provider. The marketing team has proposed providing firewall services to the customers.

The requirements for the solution are shown below

— The customer must be able to manage their own security device.

— You must provide segmentation using Layer 2 and Layer 3.

— You need to implement dynamic routing

— You need to provide UTM services

in this scenario, which product would you select to provide the firewall services?

- * cSRX
- * vSRX
- * vMX
- * vQFX

NEW QUESTION 31

You must secure network access by requiring users to log in through an HTTP browser, while also allowing printers to connect to the network using MAC address validation. What will satisfy these requirements?

- * captive portal
- * guest VLAN
- * MAC RADIUS
- * 802.1X multiple supplicant

NEW QUESTION 32

Physical security devices are ”blind” to which type of traffic?

- * bare metal server to VM

- * private VLAN
- * intra-server traffic
- * management

NEW QUESTION 33

You are designing an IP camera solution for your warehouse. You must block command and control servers from communicating with the cameras. In this scenario, which two products would you need to include in your design? (Choose two)

- * SRX Series device
- * Security Director
- * Juniper ATP Cloud
- * IPS

NEW QUESTION 34

You are asked to implement Juniper AppSecure to increase application security. You want to analyze specific application usage. In this scenario, which AppSecure feature would accomplish this task?

- * AppQoS
- * AppTrack
- * AppFW
- * IDP/IP

NEW QUESTION 35

As part of a design requirement, you are asked to allow users in a specific department to authenticate only on their laptops and no other devices on the same network port. Which mode of 802.1X authentication will you use to satisfy this requirement?

- * multiple
- * single-secure
- * single
- * MAC RADIUS

NEW QUESTION 36

Which technology enables IPS inspection for users browsing websites that use Transport Layer Security (TLS)?

- * SSL reverse proxy
- * defense in-depth
- * SSL forward proxy
- * screens

NEW QUESTION 37

You are asked to perform a risk assessment for a core layer switch in your data center. After analyzing the Annual Loss Expectancy (ALE) for this switch, you conclude that the risk remediation strategy involves purchasing insurance to protect against losses due to compromise or failure.

This scenario describes which risk remediation strategy?

- * risk transfer
- * risk mitigation
- * risk avoidance
- * risk acceptance

NEW QUESTION 38

Which solution would you deploy to accomplish this task?

- * Junos Space Log Director
- * Juniper Networks Central insights
- * Junos Space Security Director
- * Juniper Networks Secure Analytics

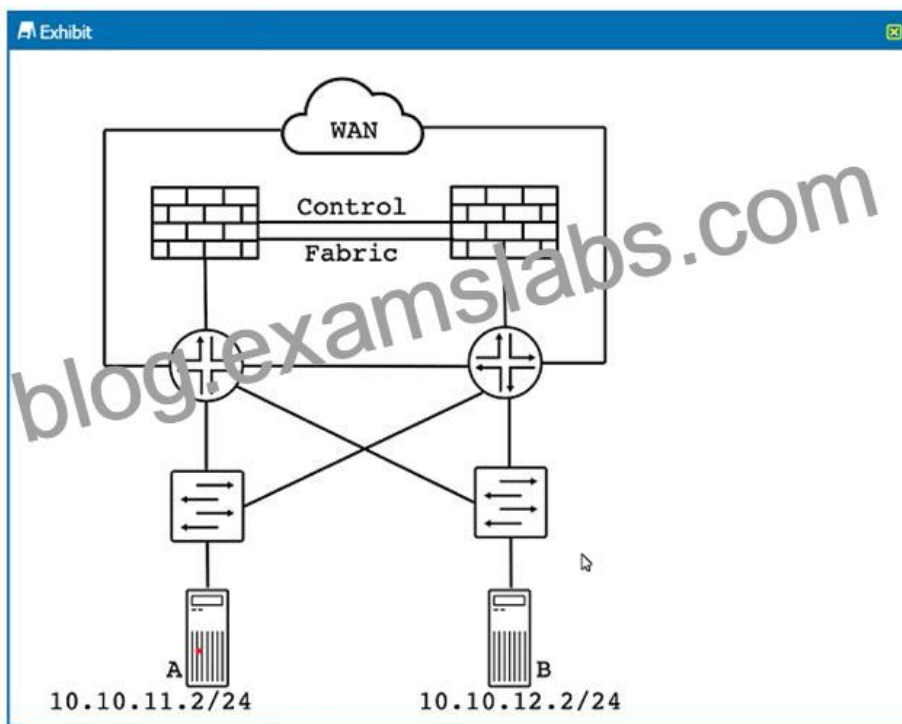
NEW QUESTION 39

Which feature is evaluated first when a packet is received on an interface of an SRX Series device?

- * UTM
- * ALG
- * stateless firewall filter
- * screens

NEW QUESTION 40

Refer to the exhibit.



The SRX Series devices are deployed in an off-path active/passive Cluster configuration. What are two advantages of this deployment model over an active-active cluster configuration? (Choose two)

- * load-balancing of east/west traffic
- * load-balancing of north/south traffic
- * reduced latency
- * reduced fabric link traffic

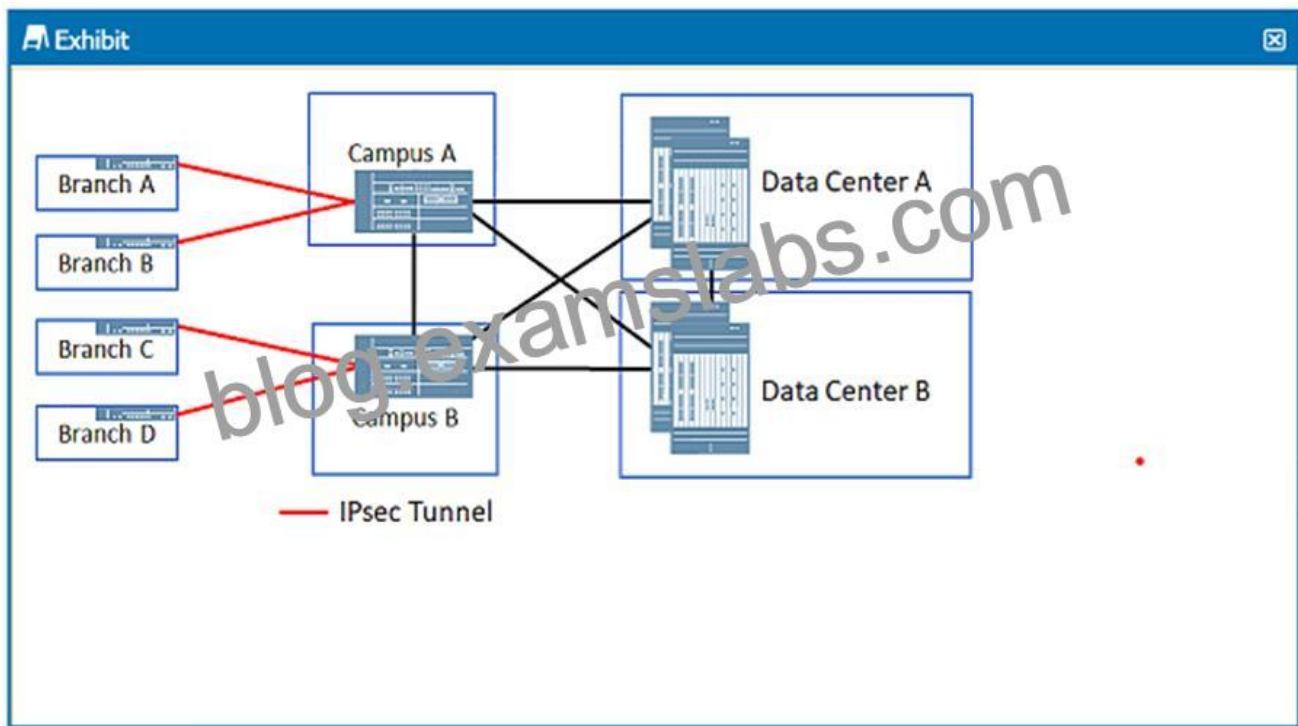
NEW QUESTION 41

Which two features would provide protection from known malware? (Choose two.)

- * ALGs
- * screens
- * Junker ATP Cloud
- * IPS

NEW QUESTION 42

Exhibit.



In the 3-tier VPN design shown in the exhibit, which function are the Campus A and Campus B SRX Series devices performing?

- * Internet security gateway
- * data center firewall
- * WAN aggregation
- * VPN bridging

NEW QUESTION 43

Which two steps should be included in your security design process? (Choose two)

- * Define an overall routing strategy
- * identity external attackers
- * Identify permitted communications
- * Identify security requirements for the customer's organization

NEW QUESTION 44

According to Juniper Networks, what are two focus points when designing a secure network? (Choose two.)

- * performance
- * automation
- * distributed control
- * classification

Juniper JN0-1332 Exam Certification Details:

Duration 90 minutes Exam Name Security Design Specialist Number of Questions 65 Exam Registration PEARSON VUE Passing Score Variable (60-70% Approx.) Exam Price \$300 USD Recommended Training Juniper Networks Design - Security (JND-SEC) Sample Questions Juniper JN0-1332 Sample Questions

JN0-1332 Premium Exam Engine pdf Download:

<https://www.examlabs.com/Juniper/JNCDS-SEC/best-JN0-1332-exam-dumps.html>